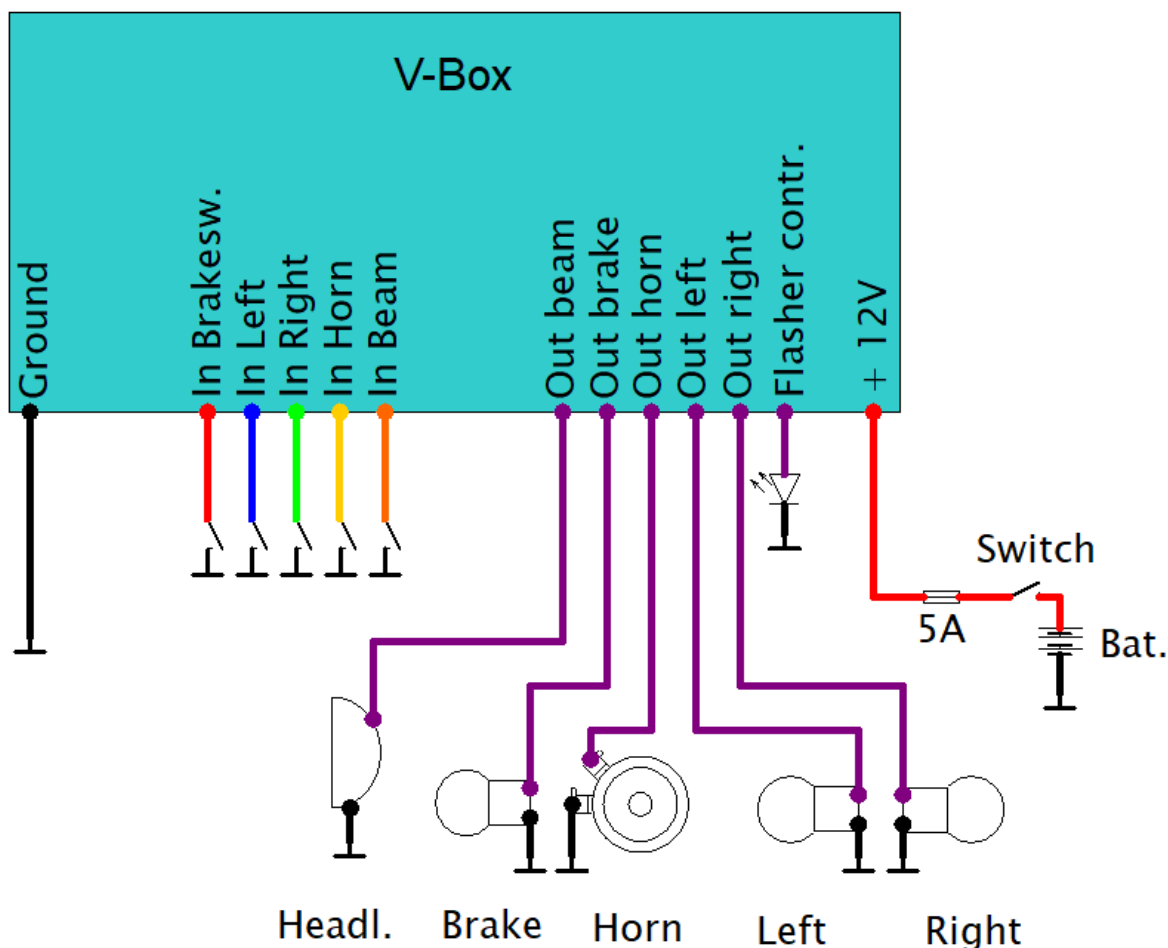


# Installationsplan V-Box



**Push-Button or Switch input for Indicator left (blue):** When the contact is closed to ground, the Indikator starts. This input is also used for the 2-Push-Button mode.

**Push-Button or Switch input Indicator right (green):** When the contact is closed to ground, the Indikator starts. This input is also used for the 2-Push-Button mode.

**The warning light** function is switched on in Push-Button mode by pressing the two flashing Push-Buttons simultaneously. In Switch mode, this is done by quickly alternating between left and right.

The last purple cable is the output for the flashing control.

**Push-Button Input Horn (yellow):** The Horn output is on when the button switches the pin to ground.

**Push-Button Input for light (orange):** The Push-Button for the light is connected to this cable. The box switches the light when this pin is closed to ground.

**Brake light switch input (red):** When switching against ground, the brake light is activated.

**Ground (black):** This cable is connected to the negative pole of the battery.

**Output Beam:** This connection supplies the Voltage for the headlight.

**Horn output:** This is the switching output for the horn.

**Indicator outputs left and right:** These are the switching outputs for the turn signals.

**Brake light output:** The brake light is connected here.

**Input (red thick):** The Voltage from the Batterie + is connected here.

You can change the various functions of the V- Box. Before switching on the power supply, press the horn button and hold it until the power supply is on. After releasing the button, the box is in setting mode. If you have a Switch for the turn signals and not a Push-Button you must activate the Switch function. A warning light indicates that you are in the setting mode. The respective menu item is indicated by the number of flashes. You then "work" through all 4 menu items and make your desired settings with the left or right indicator button. These are saved after the last menu item.

Number of flashes	Modus	Left Indicator Button	Right Indicator Button	Description
1 x	Comfort Indicator	off	on	The indicator switches itself off after 30 x, only works in Push-Button mode
2 x	Brakelight Flasher	on	off	The brake light flashes 5 x quickly before it is permanently on.
3 x	Begrenzungslicht	on	off	The turn signals are permanently on as long as they are not activated for flashing
4 x	Switch or Push-Button	Switch	Push-Button	A latching switch or push-Button for indicator control